

# CRANE SCALES

5kg to 20ton

(15, 20 ton)

## STANDARD CRANE SCALES (CCS)

### Features :

- ♦ Rugged aluminum diecast enclosure.
- ♦ 25 mm height LED display
- ♦ Maximum safety overload 200%.
- ♦ Inbuilt sealed maintenance free re-chargeable battery and battery charger (Optional)
- ♦ RF keyboard, operating distance 20mtr. (optional)
- ♦ RS-232 Interface (Optional)
- ♦ Multiple print options with Sr. No, Date, Time & Weight in horizontal / vertical mode.
- ♦ Date & Time entry facility.
- ♦ Multiple weighing units.
- ♦ Storage of weights in memory upto 100 samples.
- ♦ Power saving by switching off the display.
- ♦ Automatic zero tracking.
- ♦ Software linearity correction.
- ♦ Display hold facility.
- ♦ Gross & Net Weight function.



### Common Specifications :

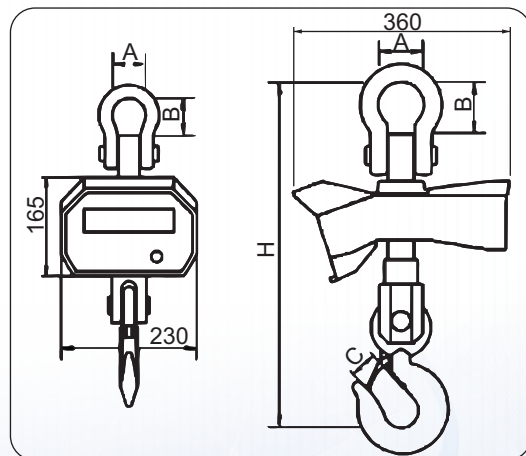
MODELS	CAPACITY	ACCURACY	DIMENSION				NET WT. (Kg)
			H	A	B	C	
CCS-15T5K	15 ton	5Kg	920	140	230	60	67
CCS-20T5K	20 ton	5Kg	980	140	230	70	75

Taring Range : Up to full capacity

Response time : 5 seconds

Power Req : 90-250V, 50/60Hz, 10 Watt

Operating Temperature : 10 to 45 deg C



All Specifications and designs are subject to change for improvement.